



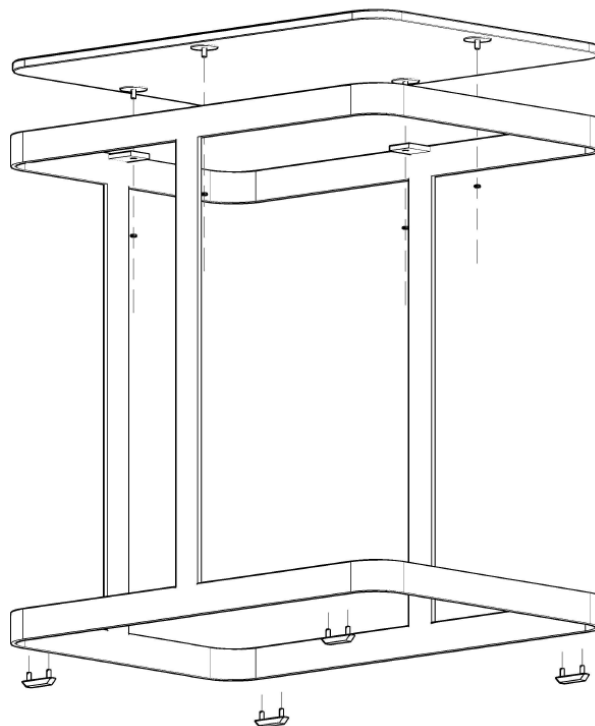
Svedholm

APERTO

MOUNTING & MAINTENANCE

INSTRUCTIONS

MOUNTING INSTRUCTIONS



GENERAL MAINTENANCE INSTRUCTIONS

Manufacturer

Svedholm Design AB
TEL +46(0) 10 190 20 80

INFO@SVEDHOLM.SE

WWW.SVEDHOLM.SE

Material

A side table with table top of tempered glass with ceramic paint. Table base of powder coated steel.

Maintenance

Powder coated steel: should be cleaned with a cloth, moistened with water or mild detergent. Corrosive detergents may not be used.

Glass: should be cleaned with a cloth, moistened with water or alcohol. Corrosive detergents may not be used.

Responsibility

Svedholm Design AB is not responsible for damage caused by improper assembly or installation, lack of maintenance, malfunction, neglect/abnormal use or anything else that may be attributed to the user.

Svedholm Design AB, Uppsala