

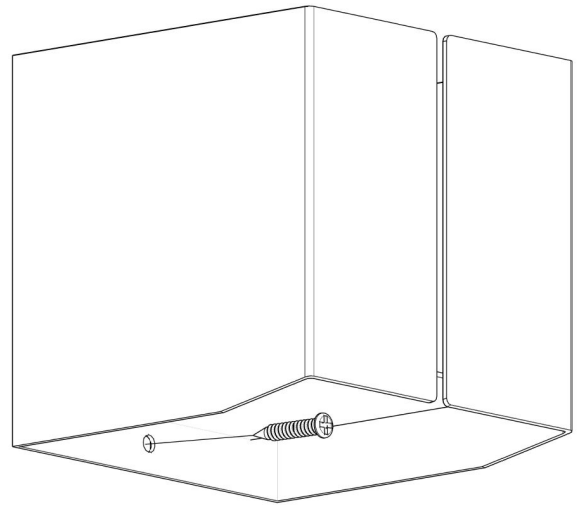
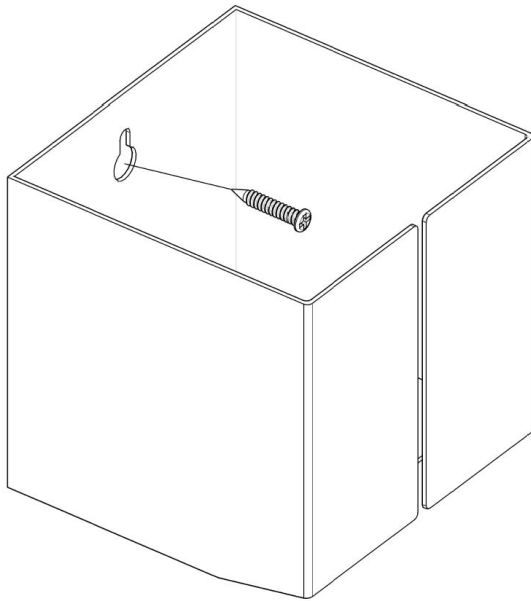


*Svedholm*

**SLITS SPARE TOILET PAPER HOLDER**

**MOUNTING & MAINTENANCE INSTRUCTIONS**

## MOUNTING INSTRUCTIONS



Choose screws suitable to your wall type.

## MAINTENANCE INSTRUCTIONS

### Manufacturer

Svedholm Design AB  
TEL +46(0) 10 190 20 80

[INFO@SVEDHOLM.SE](mailto:INFO@SVEDHOLM.SE)

[WWW.SVEDHOLM.SE](http://WWW.SVEDHOLM.SE)

### Material

Spare toilet paper holder made of powder coated steel.

### Maintenance

**Powder coated steel:** should be cleaned with a cloth, moistened with water or mild detergent. Corrosive detergents may not be used. Detergents and moist remains shall be removed.

### Responsibility

Svedholm Design AB is not responsible for damage caused by improper assembly or installation, lack of maintenance, malfunction, neglect/abnormal use or anything else that may be attributed to the user.

Svedholm Design AB, Uppsala