



Svedholm

SLITS PAPER BIN

Art nr. 410.600.010

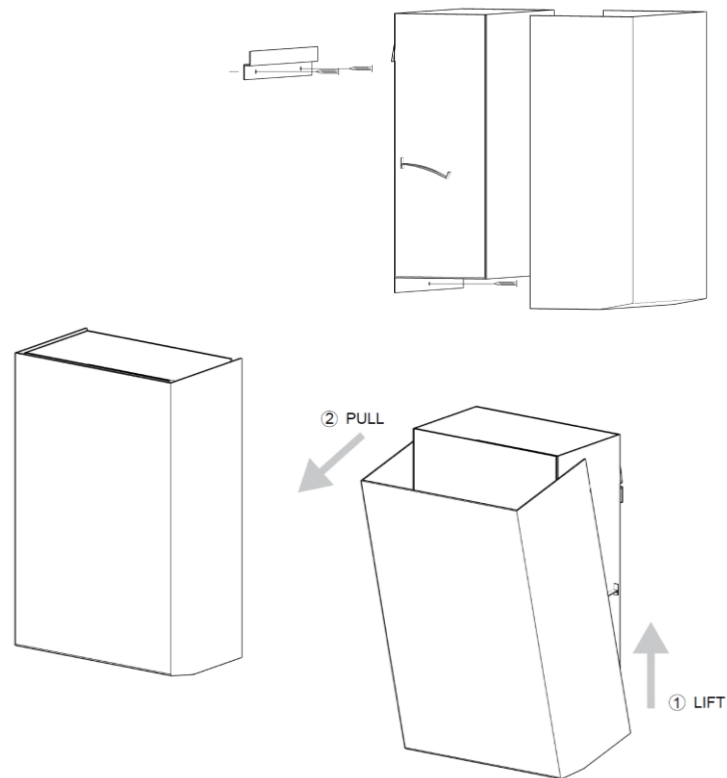
MOUNTING & MAINTENANCE INSTRUCTIONS

COVERED BY OUR RETURN DEPOSIT SCHEME



Product assessed in
SundaHus Material Data

MOUNTING INSTRUCTIONS



MAINTENANCE INSTRUCTIONS

Manufacturer

Svedholm Design AB
TEL +46(0) 10 190 20 80

INFO@SVEDHOLM.SE

WWW.SVEDHOLM.SE

Material

Paper Bin made of powder coated steel.

Maintenance

Powder coated steel: should be cleaned with a cloth, moistened with water or mild detergent. Corrosive detergents may not be used. Detergents and moist remains shall be removed.

Accessories

Adapted for bin liners 510x 570 mm 30 liters.

Responsibility

Svedholm Design AB is not responsible for damage caused by improper assembly or installation, lack of maintenance, malfunction, neglect/abnormal use or anything else that may be attributed to the user.

Svedholm Design AB, Uppsala