

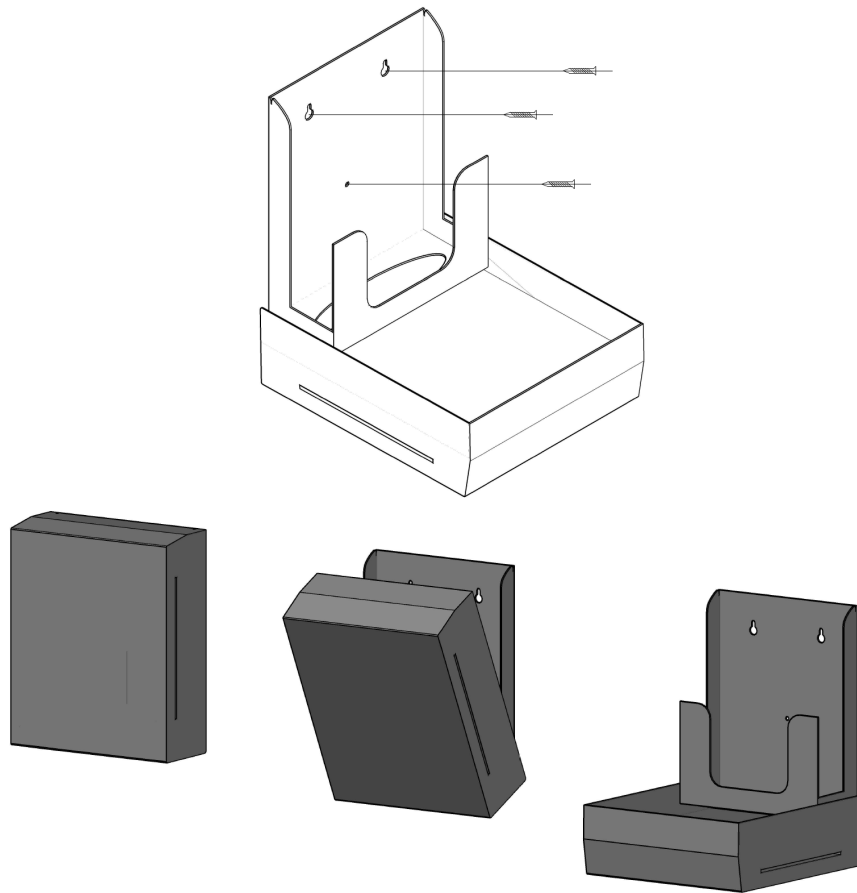


Svedholm

SLITS PAPER DISPENSER

MOUNTING & MAINTENANCE INSTRUCTIONS

MOUNTING INSTRUCTIONS



MAINTENANCE INSTRUCTIONS

Manufacturer

Svedholm Design AB
TEL +46(0) 10 190 20 80

INFO@SVEDHOLM.SE

WWW.SVEDHOLM.SE

Material

Interior fittings in powder coated steel.

Maintenance

Powder coated steel: should be cleaned with a cloth, moistened with water or mild detergent. Corrosive detergents may not be used.

Responsibility

Svedholm Design AB is not responsible for damage caused by improper assembly or installation, lack of maintenance, malfunction, neglect/abnormal use or anything else that may be attributed to the user.

Svedholm Design AB, Uppsala