

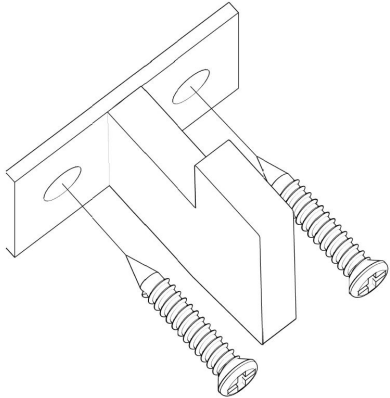


Svedholm

SLITS HOOKS

MOUNTING & MAINTENANCE INSTRUCTIONS

MOUNTING INSTRUCTIONS



Choose screws suitable to your wall type.

MAINTENANCE INSTRUCTIONS

Manufacturer

Svedholm Design AB

TEL +46(0) 10 190 20 80

INFO@SVEDHOLM.SE

WWW.SVEDHOLM.SE

Material

Hooks made of powder coated steel.

Maintenance

Powder coated steel: should be cleaned with a cloth, moistened with water or mild detergent. Corrosive detergents may not be used. Detergents and moist remains shall be removed.

Responsibility

Svedholm Design AB is not responsible for damage caused by improper assembly or installation, lack of maintenance, malfunction, neglect/abnormal use or anything else that may be attributed to the user.

Svedholm Design AB, Uppsala